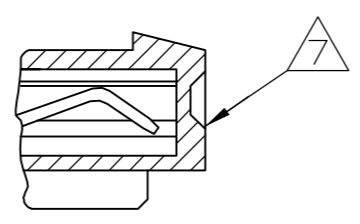
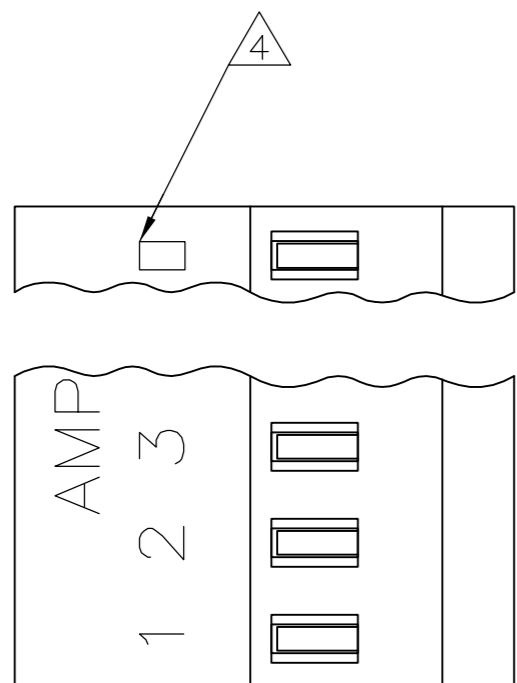
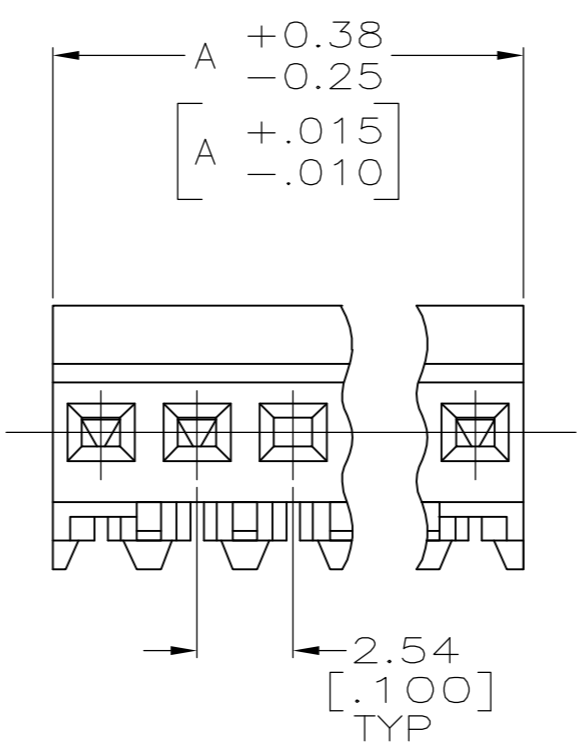
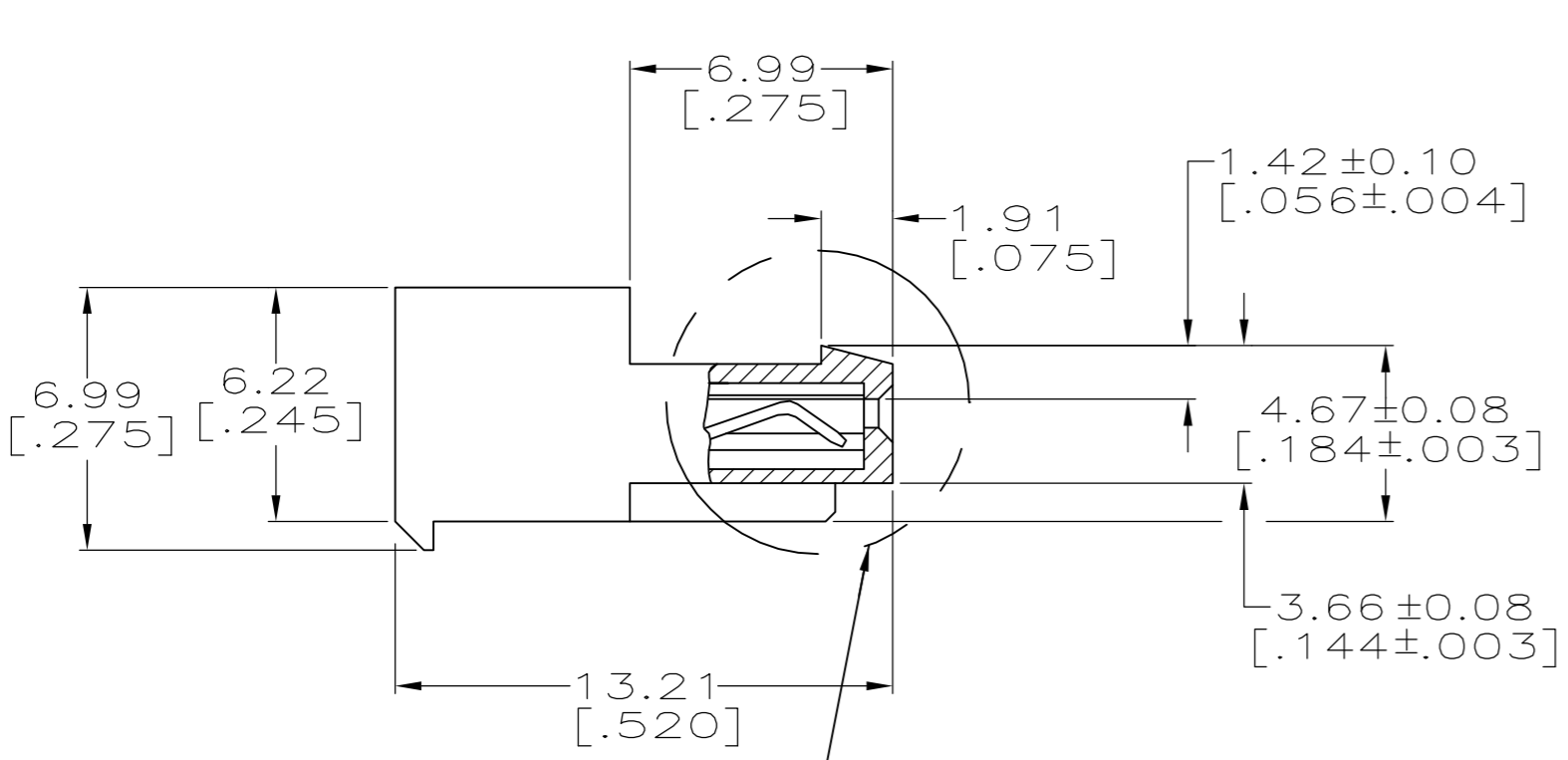


THIS DRAWING IS UNPUBLISHED. RELEASED FOR PUBLICATION
 © COPYRIGHT BY TYCO ELECTRONICS CORPORATION. ALL RIGHTS RESERVED.

LOC	DIST	REVISIONS					
CM	00	P	LTR	DESCRIPTION	DATE	DWN	APVD
		D		REV PER ECO-07-003755	28FEB07	KW	DB



DETAIL A



- 1 MATERIAL: CONNECTOR - NYLON UL94V-2 (WHITE).
CONTACTS - 0.30[.012] THICK COPPER ALLOY
MATTE WHISKER MITIGATED TIN
0.00203[.000080] MIN THICKNESS
OVER NICKEL UNDERPLATE OR BRIGHT
TIN-LEAD 93/7 0.00203[.000080] MIN
THICKNESS. SEE FINISH COLUMN FOR
PLATING TYPE.
- 2. CONTACTS ACCEPT 24 AWG WIRE WITH 1.52[.060] MAX
INSULATION DIAMETER.
- 3. CONTACTS MUST ACCEPT 0.64±0.03[.025]
POST AND REMAIN LOCKED IN POSITION.
- 4 IDENTIFICATION NUMBER FOR LAST CIRCUIT MAY
NOT APPEAR ON ALL ASSEMBLIES.
- 5. DIMENSIONS IN BRACKETS ARE IN INCHES.
- 6. HOUSING FEATURES ARE: CLOSED END WITH LOCKING
RAMP.
- DETAIL A SHOWS CIRCUIT NO. 3 & 5 MOLDED CLOSED.

YES	15.24[.600]	6	3-644343-6
NO	15.24[.600]	6	644520-6
LEADFREE	DIM A	NO. OF CIRCUITS	PART NUMBER

METRIC

THIS DRAWING IS A CONTROLLED DOCUMENT.		DWN S. CARPENTER 08AUG2003	Tyco Electronics Corporation Harrisburg, PA 17105-3608	
DIMENSIONS: mm [INCHES]		CHK D. BOSSI 08AUG2003	NAME	
TOLERANCES UNLESS OTHERWISE SPECIFIED:		APVD D. BOSSI 08AUG2003	PRODUCT SPEC	
0 PLC ±		108-1050		
1 PLC ±		APPLICATION SPEC		
2 PLC ±		114-1019		
3 PLC ± 0.13 [.005]		WEIGHT		
4 PLC ±		SIZE A2		
ANGLES ±		CAGE CODE 00779		
FINISH 1		DRAWING NO C-644520		
MATERIAL 1		RESTRICTED TO -		
CUSTOMER DRAWING		SCALE 5:1 SHEET 1 of 1 REV D		